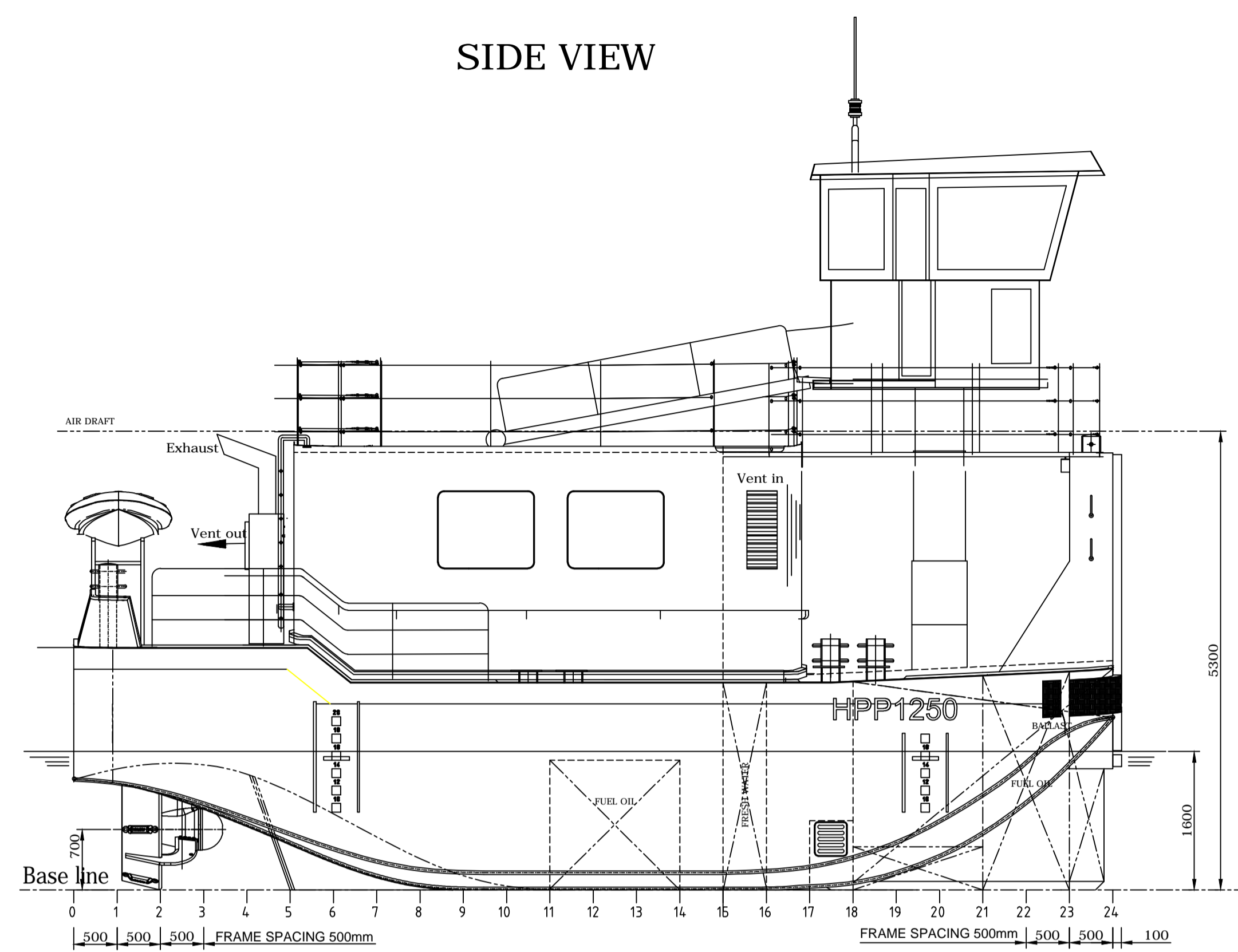
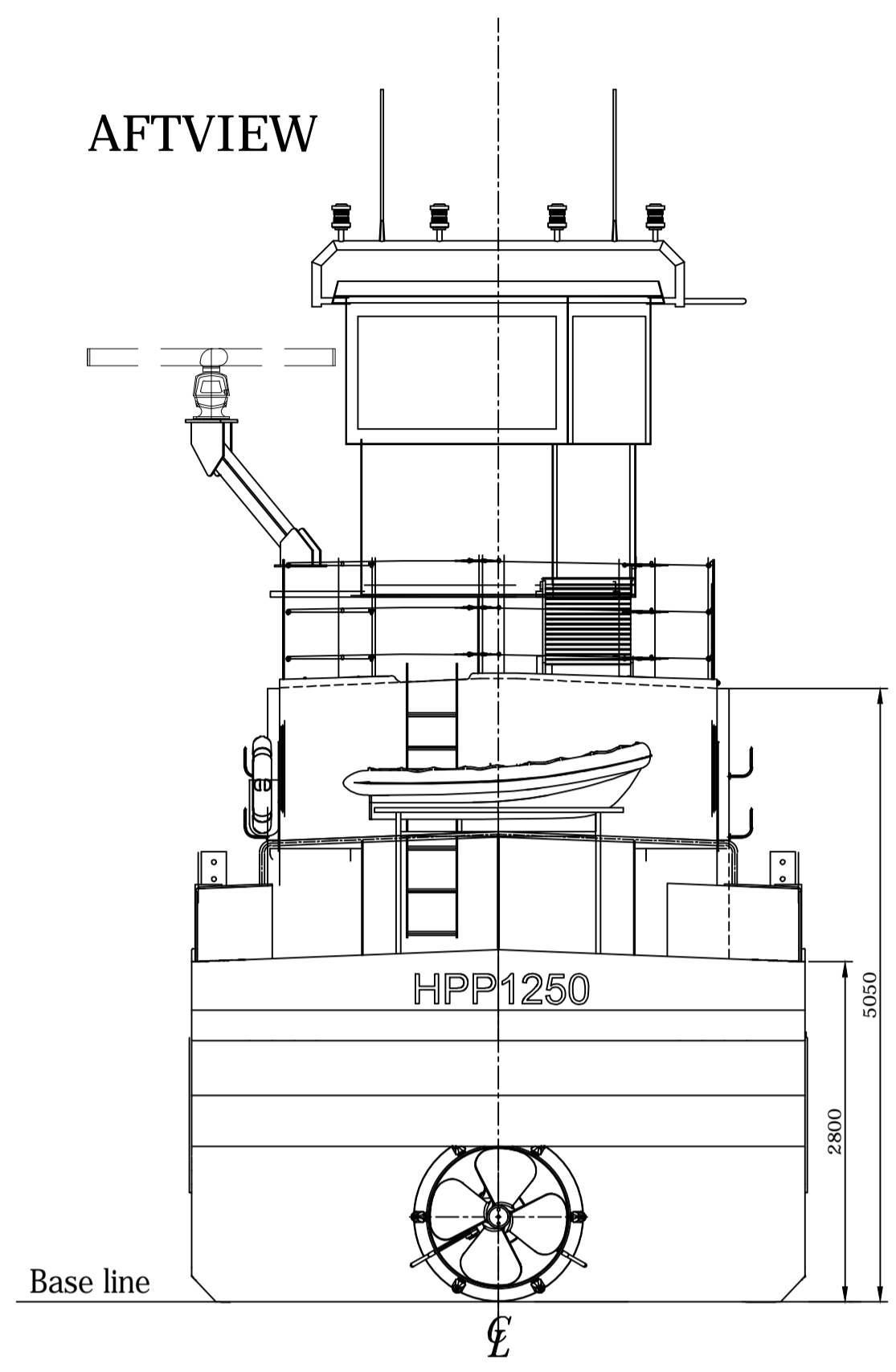


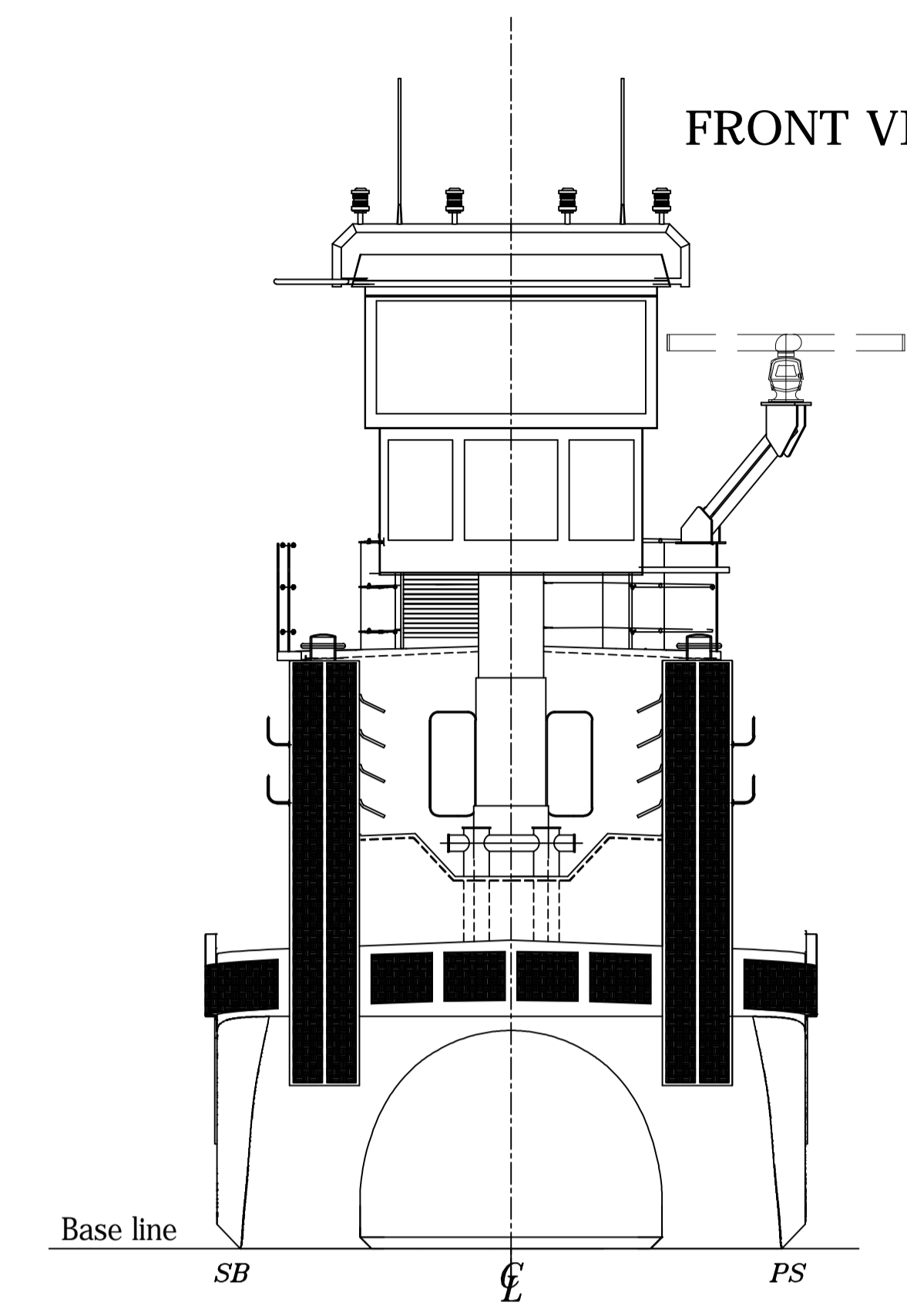
SIDE VIEW



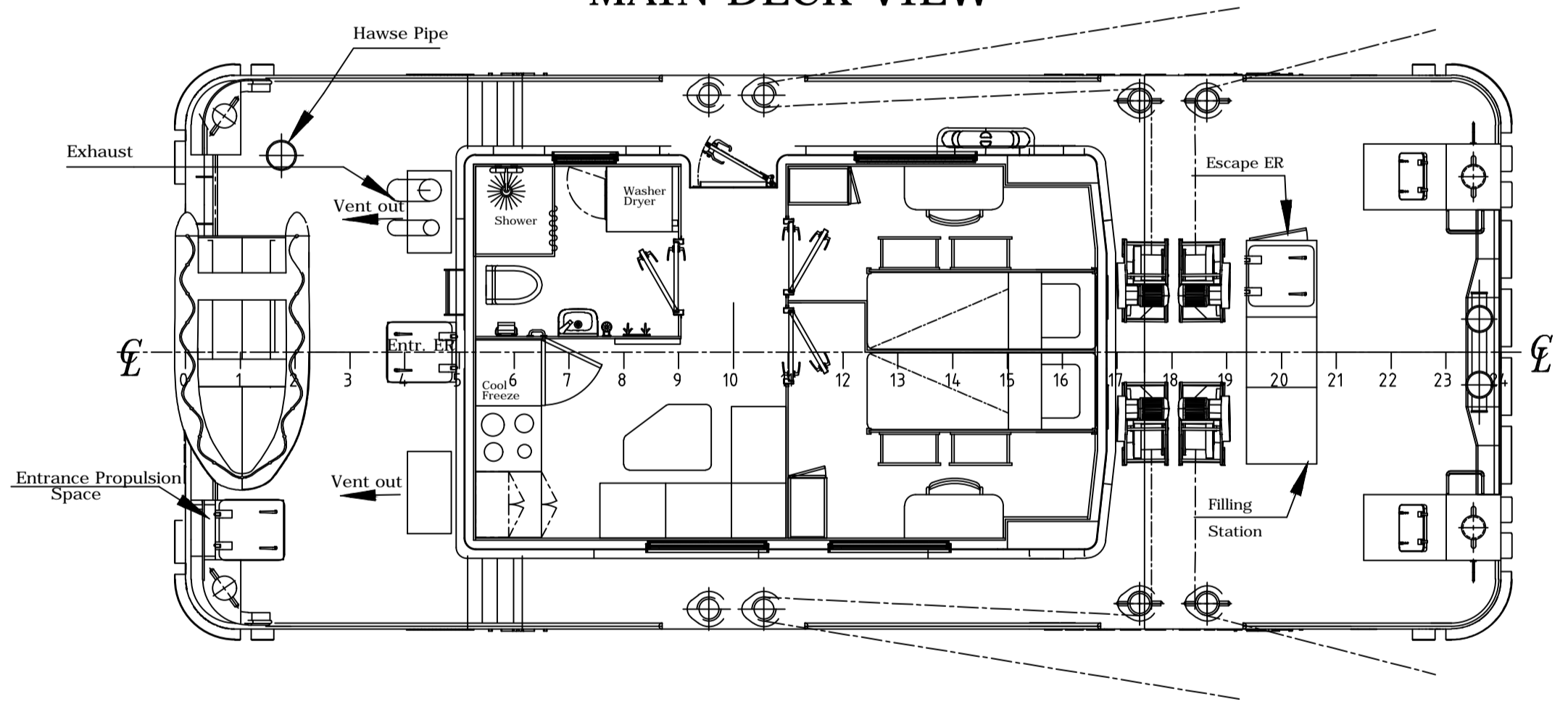
AFTVIEW



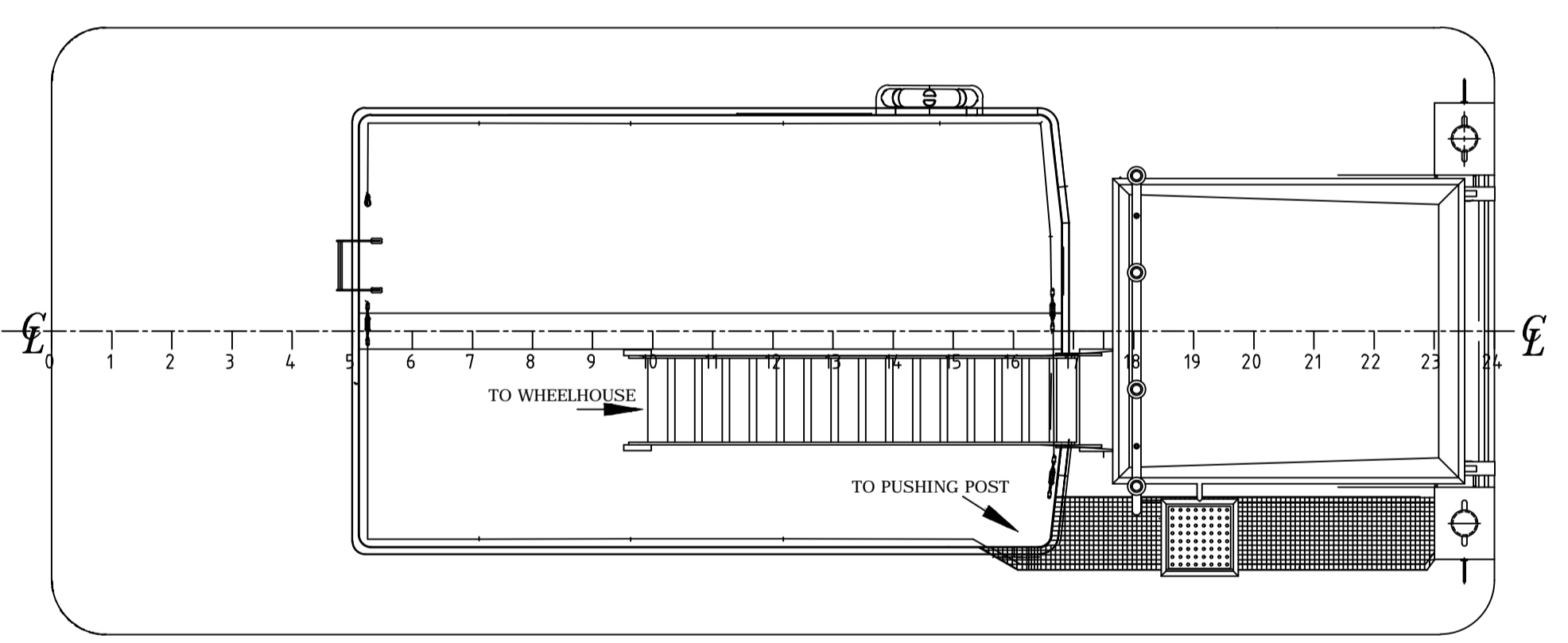
FRONT VIEW



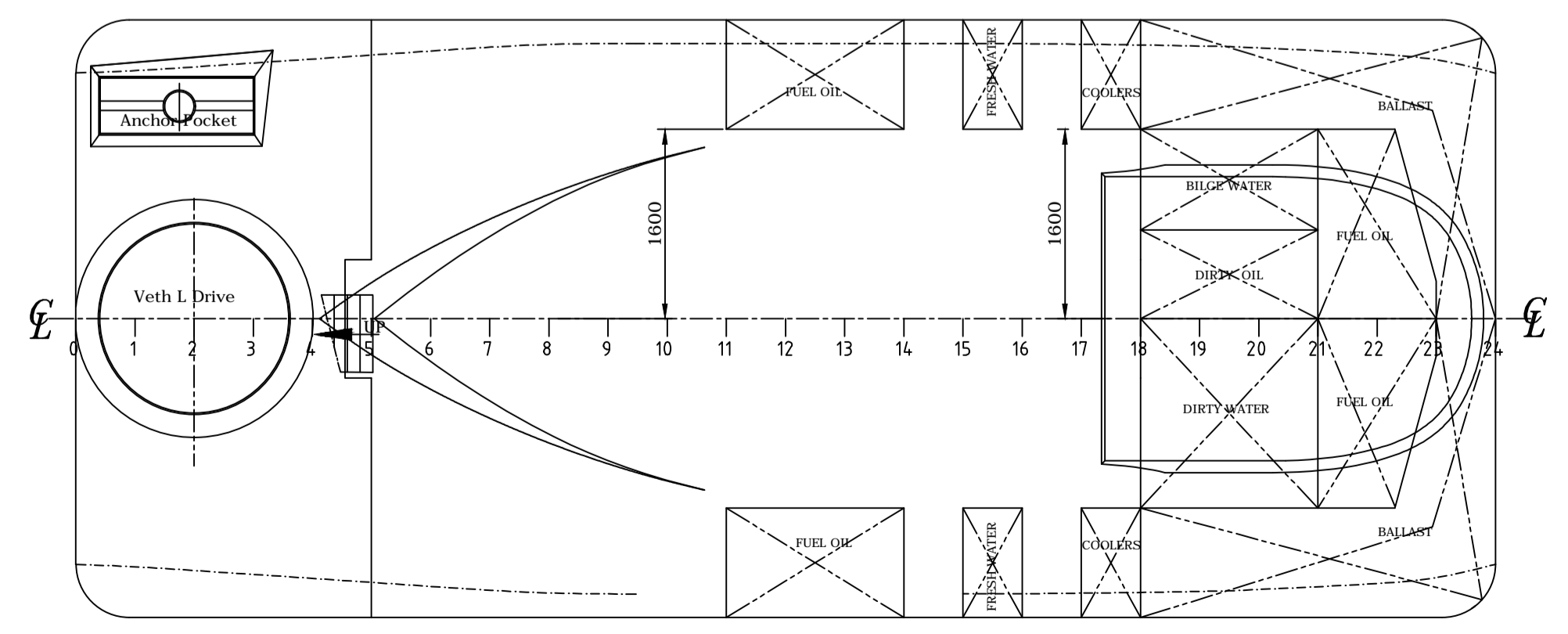
MAIN DECK VIEW



VIEW ON TOP OF ACCOMMODATION



VIEW BELOW MAIN DECK



PRINCIPAL DIMENSIONS

LENGTH MOULDED	12.000
BREADTH MOULDED	5.026
BREADTH O.A	5.050
DEPTH MOULDED	2.400
DRAUGHT	1.600

Each and any order to perform work, to make designs or to render services shall, unless explicitly otherwise agreed in writing, be accepted and executed by INEC BV and any offers made by INEC BV shall be exclusively subject to the Terms and Conditions of INEC 1987, issued by 'KorwinB. Instituut van Ingenieurs (RVI)' in The Hague, filed at Clerks Record Office of the District Court of Justice in The Hague, first issue on 24st August 1987, respectively 2nd issue on 26th April 1990, including changes or alterations, if any, as filed at the time the order is given. This document or any part of this document remains the property of the publisher unless, contractually specified otherwise. No part of it may be reproduced, stored in a retrieval system, or transmitted, in any form or by any means, without the prior written permission of INEC BV.

C	04.02.18.	GR	SHORTENED ACCOMMODATION, RAILING AFT IN PLACE OF BULWARK, DIRTY OIL, DIRTY WATER AND BILGE RELOCATED.		
B	28.01.18.	NVX	CHANGED ACC. TO DESIGN MODIFICATION REPORT 19.01.2018		
A	21.11.17.	NM	FO TANK BLKHD FR. 20		
REV.	DATE	NAME	REVISION SUBJECT	APPROVED	DATE



INEC B.V.
 International Naval Engineering Consultants
 Albrandswaardseweg 7
 3171 AD Noordwijk, The Netherlands
 Tel: +31 (0)10-5012215, Fax: +31 (0)10-5012501
 E-mail: info@inec.nl
 www.inec.nl

INLAND PUSHER 12.00x5.05x2.40M
 GENERAL ARRANGEMENT

SCALE:	DRAWN BY:	DRAWING NO.:	
1:50	GR	31281-0000	C
	DATE DRAWN:		
	27.10.2017		

COPYRIGHT: This document, or any part thereof, may not be copied or multiplied without prior written permission of INEC B.V.